

REVAL

SUSTAINABLE WELL-BEING

New

Caprice Range



taylordolman



3 YEAR
WARRANTY

Discover sensational bathing with the *Caprice* Range

With a complete range of innovative and thoughtfully developed features, *Caprice* ensures everyone can enjoy bath times. All three models place hygiene, safety and ease of use at the highest level of importance:

Hygiene

Caprice uses touch-free infra red controls, which significantly reduce the risk of cross-contamination. It features an unique thermal cleaning function that allows the valve to clean itself under supervision at temperatures of 60°C.

On models with the hydro-massage system, there is an automatic clean function to reduce the risk of legionella proliferation.



Safety

Sense thermostatic temperature controls provide thermostatically blended water with no risk of scalding. The pouring spout is also rubberised to ensure the heat of the water running through it does not cause a scolding threat.

Caprice is equipped with a Reval *Sense* control panel and blending valve, which enables it to meet the full legal requirements of Thermostatic Mixing Valve 3 (TMV3).



Ease of use

For upper body and hair washing, *Caprice* has a thermostatic showering system. There is also enough space under the bath to allow for a mobile hoist, if the integrated hoist and transfer system is not selected.



Caprice Range

Models and options

**3 YEAR
WARRANTY**

Variable height

The stylish variable height **Caprice** takes the aches and pains out of daily bathing routines. This model features push-button high/low adjustment for a safer, more comfortable nursing height. The height adjustment also enables the bath to be lowered to allow those with reasonable balance and mobility to step in and out. If users need to be hoisted, there is plenty of room under the bath to allow for a mobile hoist. The variable height **Caprice** is also available in two lengths 170cm and 190cm.

With its **Sense** control panel and blending valve, **Caprice** meets the legal requirements of TMV3. The **Sense** system is touch-free to minimise cross-contamination and features anti-scald security.

The variable height **Caprice** additionally comes with an integrated thermostatically controlled patient shower for hair and upper body washing. The shower can also be used for cleaning the appliance after use.

Caprice is made from high quality glass reinforced fibreglass for durability and is designed for industrial use, such as in hospitals and nursing homes. It comes complete with a 3 year warranty so you can be confident it provides long-term reliability and value for money for overall peace of mind.



Caprice Range

Models and options

3 YEAR
WARRANTY

Variable height with integrated hoist and transfer system



The advanced *Caprice* with variable height adjustment and an integrated hoist and transfer system features the latest bathing technology. Designed to ease the stress and strain of the daily transfer and bathing routine, the user can easily be transferred in and out of the bath and the tub height adjusted at the press of a button. This makes light and dignified work of transfers, reducing the risk of back ache and pain for the care worker. The variable height *Caprice* is also available in two lengths 170cm and 190cm.

The low profiling integral hoist saves space in the bathroom, allowing more room to work and eliminating the serious trip hazard of a mobile hoist. The transfer system and hoist are made from non-corrosive stainless steel and can also be used as a wet room shower chair or over a toilet commode.

With its *Sense* control panel and blending valve, *Caprice* meets the legal requirements of TMV3. The *Sense* system is touch-free to minimise cross-contamination and features anti-scold security.

The advanced *Caprice* additionally come with an integrated thermostatically controlled patient shower for hair and upper body washing. The shower can also be used for cleaning the appliance after use.

Caprice is made from high quality glass reinforced fibreglass for durability and is designed for industrial use, such as in hospitals and nursing homes. It comes complete with a 3 year warranty so you can be confident it provides long-term reliability and value for money for overall peace of mind.



Caprice Range

Comfort and relaxation

Caprice baths are deep and internally spacious to offer more room to stretch and relax. In complete harmony with the sensory concept and to promote relaxation and rehabilitation, *Caprice* baths are available with four spa options. Each option is proven to offer many benefits to those who are less able.

Spa options

Option one **Hydro-Massage**



Air bubbles are widely regarded to have a direct effect on emotion, blood pressure, blood flow and muscle stimulation. With *Caprices'* hydro-massage, users can enjoy an irresistibly soothing bath with a constant stream of controllable air bubbles from the 12 jets scattered across the base. Air heaters ensure the bubbles never feel cold and a constant temperature is maintained.

Option two **Aromatherapy**



With *Caprices'* aromatherapy option, aromatic heat infused oils provide scented aromas, which relax and invigorate the user during hydro-massage.

They can also be used to help keep the bathroom fresh and inviting.

Option three **Colour spa**



Colour therapy creates a warm atmospheric ambiance that helps to balance the mind, maintain and restore health, and manage and control moods and attitudes. One hundred LED lights are installed below water level to illuminate and colour the water, creating beautiful and relaxing colourings in the bath and bathroom.

Option four **Audio Spa**



Our latest innovation is our Reval AudioSpa, which combines our state of the art hydro with the unique benefits of music. From high-low tones and vibrations, to wide ranging frequencies, sound has been proven to be highly beneficial as a treatment. Using music as a stimulus can result in deeper sleep, better balance and improved vitality.

Caprice Range

Technical specifications

Tub

- Reinforced fibreglass tub and frame
- Height adjustable via 2 x 24V electric actuators
- IP67 rated lite touch control
- Integral shower system

Lifter

- Steel chassis
- Polyurethane foam seat and backrest
- Stainless steel seating system and transfer chasis
- Four pivoting brake castors Ø 125mm
- Polyurethane foam folding footrests

Mains electrical requirements

- Main electrical feeding: 230V-50hz-180w

Versions

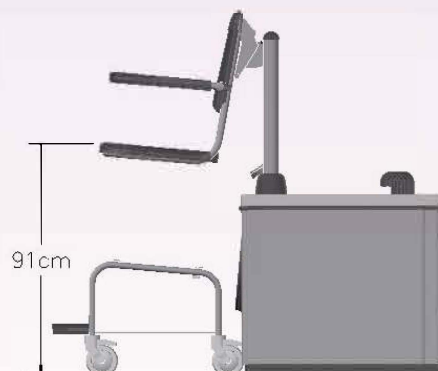
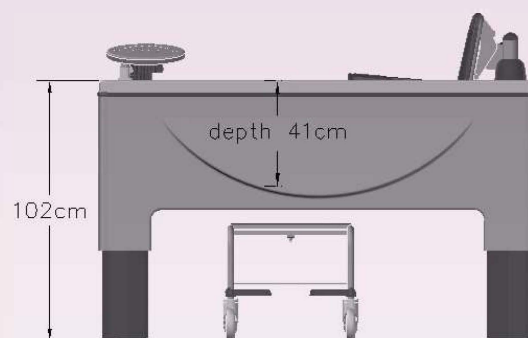
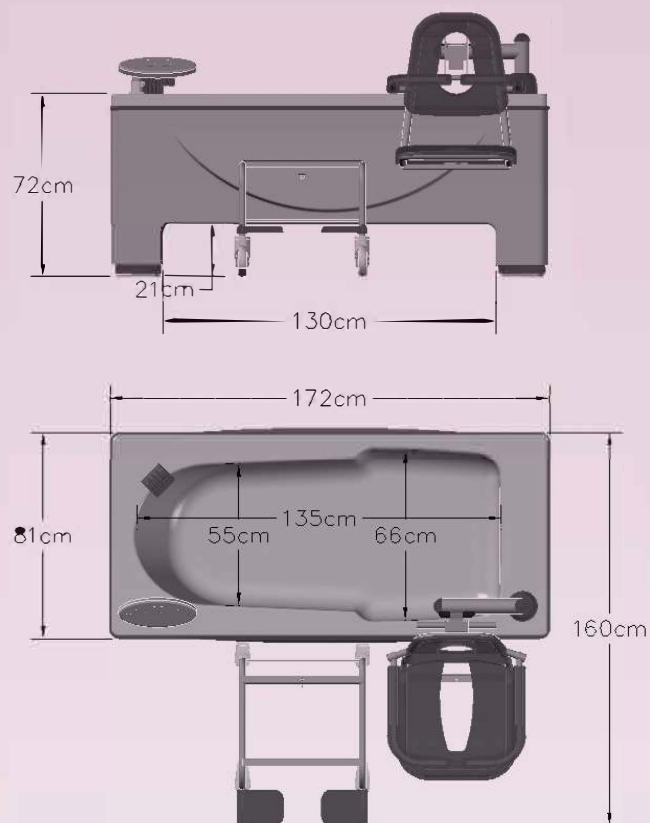
- RH-7100.1DS70R/LH-7100.1GS70R Caprice bath (Variable height) 170cm
- RH-7100.1DS90R/LH-7100.1GS90R Caprice bath (Variable height) 190cm
- RH-7100.1DS71R/LH-7100.1GS71R Caprice bath (Variable height with hoist) 170cm
- RH-7100.1DS91R/LH-7100.1GS91R Caprice bath (Variable height with hoist) 190cm

Options

- Air whirlpool system
- Colour spa system
- Aromatherapy system
- Audio spa system

Conformity

- 73/23 CEE (Low Voltage directive)
- 89/336/CEE (EMC directive)
- NF EN 60335-1 (Electric standard...)
- NF EN 60335-2-60 (Electric standard...)
- NF C 15-100 (Low voltage electric installation)
- NF EN 1717 (Anti-pollution)
- TMV3 - TMV2 - D08



Extensive 3 year warranty
for complete peace of mind

For dimensions of 190cm version, enquire within

Why Reval?

Reval creates hydrotherapy, bath, shower and transfer support equipment that can be found in hospitals and nursing homes across the UK and Europe. All products are built upon more than 30 years of in-depth understanding of users', carers' and managers' needs.



When you choose Reval you can expect functionality, reliability, safety and compliance.

“ *Caprice baths are ideal for the nursing home and hospital environment. They offer safety, practicality and functionality, while their stylish design is impressive and inviting for users.* ”

Jason Ashman, Managing Director, Reval

To order or enquire about Caprice, please use the contact details below:

taylordolman

tel: 0845 838 0600

email: info@taylordolman.com

www.taylordolman.com